

Scoreboard Stand

IMPORTANT!!!

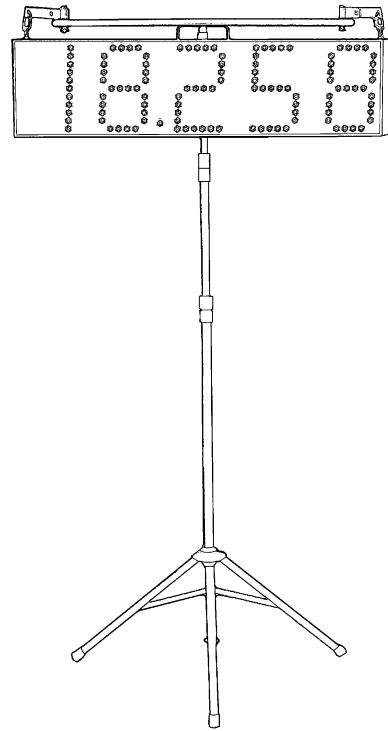
- 1) The scoreboard stand should only be used to hang one of the following products:
 - FarmTek Seven Inch LED Scoreboard
 - FarmTek Ten Inch LED Scoreboard
- 2) The stand is stable when placed on a hard, flat surface without wind. Stability is compromised when the stand is set on softer surfaces (e.g., grass or dirt) and when wind is present. *Use reasonable judgment each time the stand is used as to whether the ground and weather conditions allow for safe use of the stand.*
- 3) Wear and tear of the scoreboard stand, its couplings and other adjustable hardware can affect its stability. *Carefully inspect all tubing sections, joints and hardware of the stand each time it is used.*
- 4) As FarmTek, Inc. cannot control the proper use and maintenance of the stand, or the ground and weather conditions in which the stand is used, ***FarmTek, Inc. assumes no liability for any damages that may occur to the scoreboard, scoreboard stand, or any items struck by the scoreboard or scoreboard stand, in the event the stand falls over or collapses for any reason.*** This includes, but is not limited to, damage that may occur due to mechanical failure of any part of the stand, even if said failure is the result of original defects in the stand. *Always inspect the stand carefully each time it is used.*

FarmTek, Inc.
1000-D Hwy 78 North
Wylie, TX 75098

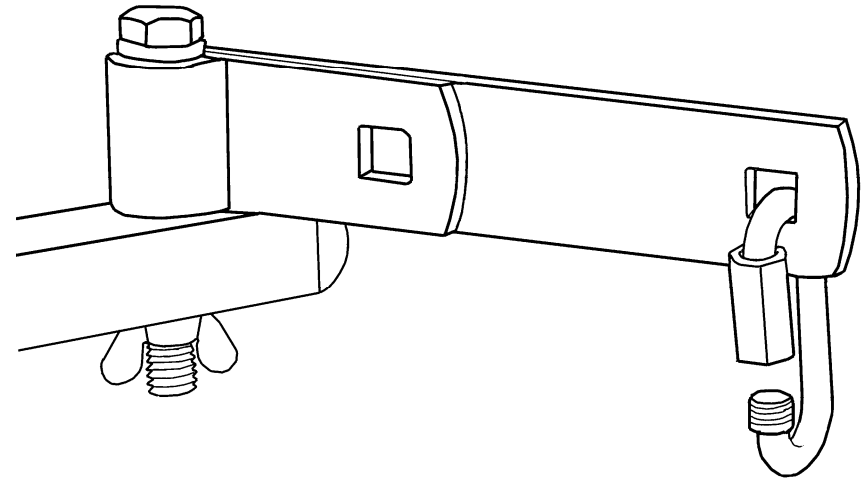
(800) 755-6529
(972) 429-0947
<http://farmtek.net>

The illustration at the right shows how the scoreboard stand is used to hang the display. Follow these instructions to assemble the stand for use:

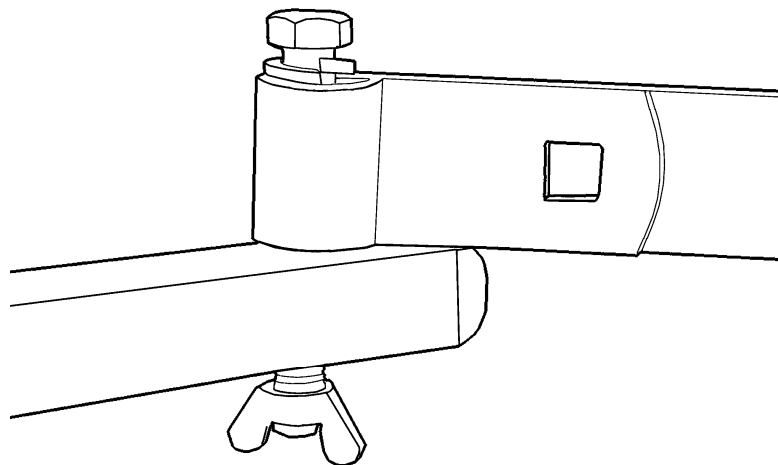
- 1) Loosen the knob that allows expansion of the three legs at the bottom of the stand. Extend the legs fully and tighten the knob to lock the legs in place.
- 2) Install the horizontal crossbar in the hole at the top of the stand. Tighten the knob which holds the horizontal crossbar in place.
- 3) Install the mounting arm, hex-head bolt, lock washer and wing nut through the last hole in each end of the horizontal crossbar. Note the location of the split-ring lock washer in the illustration below. Hand-tighten the wing nut.



- 4) Fully open the quick-link and thread it through the hole of the mounting arm so it hangs as shown. Repeat for both mounting arms.



- 5) Lift the scoreboard and slip the U-Bolts on the top of the scoreboard into the quick-links hanging from the stand. Screw each quick link closed.
- 6) Raise the scoreboard to the desired height by loosening the coupling knobs and extending pole sections. *Have a helper hold down the base of the stand while you are extending the pole sections.* Securely tighten the coupling knobs after the height adjustment is complete.



Notes:

- Orient the scoreboard stand (as shown in the picture at the above left) such that one of the tripod legs extends directly forward underneath the scoreboard.
- As the scoreboard swings in light breezes, the back side will strike the pole of the scoreboard stand. If desired, a round, self adhesive bumper (included in the hardware bag) can be placed on the back of the scoreboard at the point of impact.