

Declaration of Conformity

Trade Name: Wireless Scoreboard Interface

Model: Rf Scorebd Intf

Compliance Test Report Number: B90612A1

Compliance Test Report Date: January 27, 2005

Responsible Party:

FarmTek, Inc.
1000-D Hwy 78 North
Wylie, TX 75098
(972) 429-0947

This equipment has been tested and found to comply with the limits for a Class B digital device, pursuant to Part 15 of the FCC rules. These limits are designed to provide reasonable protection against harmful interference in a residential installation. This equipment generates, uses and can radiate radio frequency energy and, if not installed and used in accordance with the instructions, may cause harmful interference to radio communications. However, there is no guarantee that interference will not occur in a particular installation.

If this equipment does cause harmful interference to radio or television reception, the user is encouraged to try to correct the interference by one or more of the following measures:

- 1) Reorient or relocate the receiving antenna.
- 2) Increase the separation between the equipment and the receiver.
- 3) Consult the dealer or radio/TV technician for help.

CAUTION: Changes made or modifications not expressly approved by the party responsible for FCC compliance of this equipment could void the user's authority to operate the equipment.

I the undersigned, hereby declare that the equipment specified above conforms to the above requirements.

Place: Collin County

Signature: _____



Date: March 1, 2005

Full Name: Michael Douglas
President

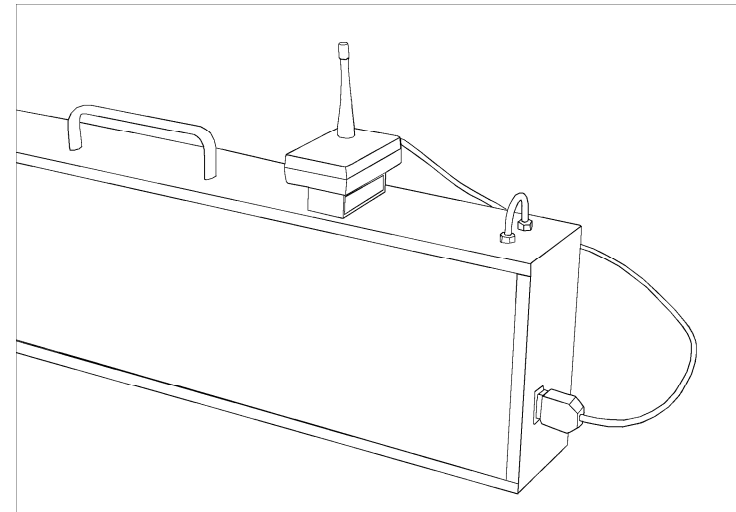
FarmTek Wireless Scoreboard Interface

(Dog Agility Version)

The **Wireless Scoreboard Interface** eliminates the long cable which runs from the timer console to the scoreboard. The wireless interface only works with the battery operated **Polaris** timer consoles, however, it can connect to any FarmTek scoreboard.

If you purchased your timer, light curtains, scoreboard and wireless scoreboard interface at the same time, then your system is already configured for operation. Simply press the wireless interface unit onto the top of your scoreboard until it clicks into place, then connect the data cable as shown below and you're ready to go! To remove the wireless interface unit from the top of the scoreboard, *gently roll the unit to the left or right* – avoid pulling straight up.

If you purchased the wireless interface separately from other timing equipment, then one or more of the sections on the following pages apply and should be carefully read.



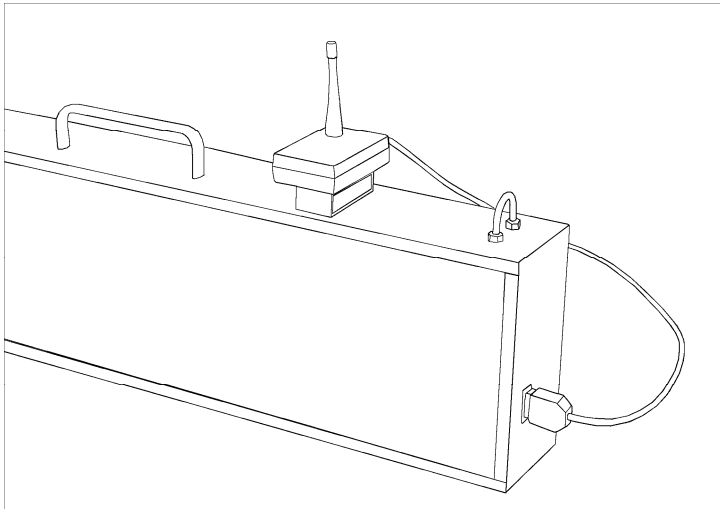
Once the wireless interface is connected and the scoreboard is powered on, you'll notice the following types of displays on the scoreboard:

- Five dashes across the display.
Indication: Wireless scoreboard interface not connected or not working.
- Single dash in the middle of the display.
Indication: Wireless scoreboard interface operational, but data is not being received from the timer console.
- Stopped time values or running times.
Indication: Normal operation.

Installation

The wireless interface unit is shipped attached the base portion of our *Quick-Mount*. If required, the interface unit can be attached / removed from the quick-mount base using the large thumbscrew which is captive in the quick-mount base. Normally, the interface unit remains attached to the quick-mount base at all times.

Plastic Velcro is attached to the bottom of the quick-mount base. Two additional Velcro squares are provided which should be adhered to the top of your scoreboard. If you purchased the scoreboard and wireless scoreboard interface at the same time, this has already been done for you. Adhere the Velcro squares to the top of the scoreboard so the interface unit can be attached to the scoreboard as shown below. When pressing down on the Velcro to secure the adhesive, *be careful not to press so hard that you bend or break the tiny plastic stubs* on the surface of the Velcro.



To attach the wireless interface unit to the top of the scoreboard, simply press straight down onto the Velcro – you will feel the unit click into place.

To remove the wireless interface from the top of the scoreboard, *gently roll the unit to the left or right to remove it from the Velcro* – avoid pulling straight up when removing the unit from the scoreboard.

Connect the data cable from the wireless scoreboard interface to the DB-9 connector on the side of the scoreboard as shown. **Do not over-tighten the thumbscrews** into the connector – only a few threads to keep the connector from falling off are required.

Timer Console Settings

If you purchased your wireless timer interface and timer console at the same time, this step has already been done at our facility and you can skip this section. Otherwise, the wireless scoreboard output must be enabled in your timer console:

- a) With the timer stopped, press SETUP to access setup functions.
- b) Press PREV CHOICE until Advanced Menu is displayed, then press ENTER.
- b) Press PREV CHOICE until Output Options is displayed, then press ENTER.
- c) Wireless SB ON is displayed. Press ENTER to select this option and activate the wireless scoreboard output.

Wireless Scoreboard Interface Settings

If you purchased the wireless timer interface, timer console and light curtains at the same time, this step has already been done at our facility and you can skip this section. Otherwise, the wireless scoreboard interface must “learn” the ID code of your timer console. Before this can be done, make sure the following steps are complete:

- 1) Your light curtains are already programmed into your timer console (i.e., the light curtains work with your timer).
- 2) The wireless scoreboard output has been enabled on your timer console (previous section).
- 3) The timer console is on and is within ten feet or so of the scoreboard.
- 4) The scoreboard is powered on and the wireless interface unit is connected to the scoreboard.

A button must be pressed inside the wireless interface unit in order to initiate programming. To access this button, loosen the knob in the quick-mount base and rotate the base 90° to allow access to what looks like a battery compartment cover on the bottom of the wireless interface unit. Slide off the compartment door.

Important! At this point, touch the U-bolt or other exposed metal on the scoreboard to discharge any static electricity on your body!

Press and immediately release the small button in the corner of the open compartment. The dash in the middle of the display will begin moving back and forth as the wireless interface searches for the timer console. Within five to thirty seconds, the dash will stop moving and the time shown on the timer console is displayed on the scoreboard. This completes programming. Put the compartment cover back on, reorient the quick-mount base to its original position, and tighten the knob.