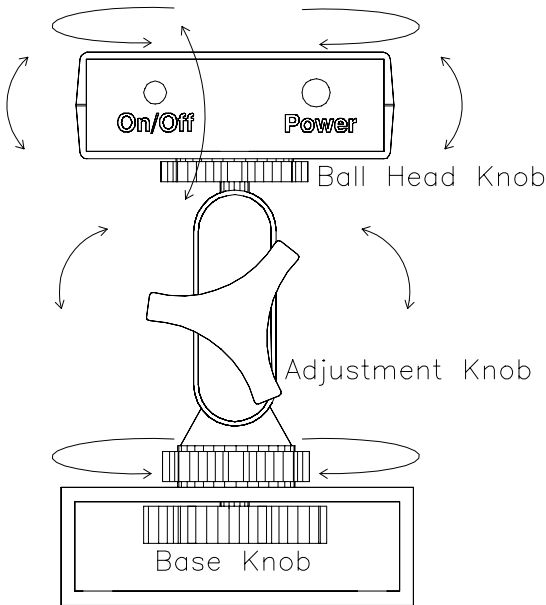


Overview

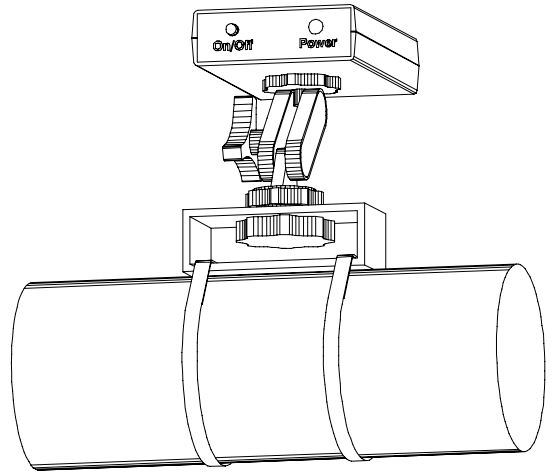
The *Quick Mount* is a quick and flexible way to mount the Wireless Electric Eyes to virtually any fence pipe, cattle panel, etc. It's great for temporary or permanent installation of electric eyes for roping.

At the top of the Quick Mount, the electric eye attaches to a ball head which allows 360 degrees of rotation and tilt. Beneath the ball head, two holding arms pivot on the base to allow for further positioning flexibility. Finally, the pivot base for the two arms rotates 360 degrees to allow the movement of the holding arms to be in any direction needed.

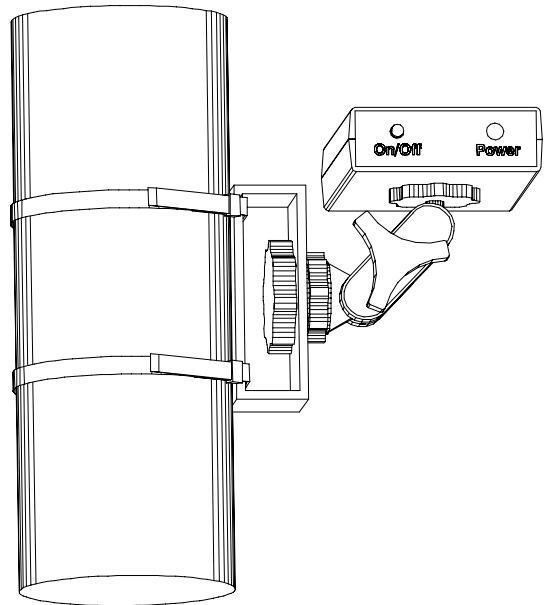


As shown to the right, the Quick Mount attaches to fences and posts using plastic tie-wraps. Leave the mount attached for just the night, or leave it attached for months! Additional tie-wraps are available at most hardware and auto-parts stores.

QUICK-MOUNT (1)



Horizontal Fence Mount



Vertical Post Mount

Mounting

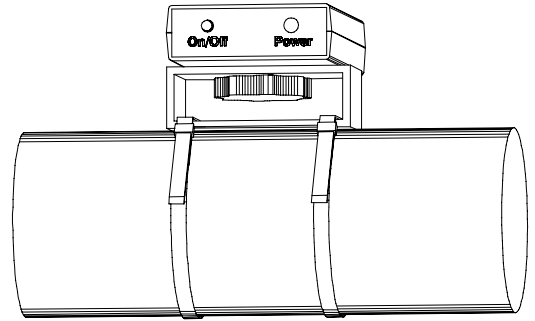
Note: It is recommended that you attached the Quick Mount to your fencing *before* attaching the electric eye to the top of the Quick Mount.

A typical horizontal and vertical mount are illustrated on the opposite side of this card. If the flexibility of recessing the eye backwards as shown in the “Horizontal Fence Mount” illustration is not required, you can mount the electric eye directly to the Quick Mount base as shown to the right.

The “Vertical Post Mount” shown on the opposite side of this card illustrates how to keep the electric eye flat when mounting to a vertical pipe. Note, however, that keeping the eye “flat” is only required when mounting the eye *with* the antenna. The electric eye *without* the antenna can be mounted in any orientation required.

QUICK-MOUNT (2)

Pull the tie-wraps hand-tight until all position adjustments are made. Then tighten the tie wraps as tight as possible. (You may want to use pliers to pull the tie-wraps tighter.)



Horizontal Fence “Direct” Mount

Adjustments

Loosening the *Adjustment Knob* (see illustration on the opposite side of this card) allows movement of the ball head and pivoting of the holding arms. Loosening the knob about 1/2 turn frees the ball head to rotate and swivel. Loosening the knob slightly more allows the arms to pivot.

Loosening the *Base Knob* on the Quick Mount allows rotation of the Quick Mount on its base. This rotation can be used to orient the holding arms so they pivot in the direction you require.

To screw the electric eye onto the Quick Mount, hold the *Ball Head Knob* in the fingers of one hand while screwing on the electric eye with the other hand. Avoid screwing the electric eye onto the Quick Mount without holding the *Ball Head Knob* firmly.

After all adjustments are made, make sure the eye is tightened firmly onto the *Ball Head Knob* and that both the *Adjustment Knob* and *Base Knob* are tightened firmly. You don’t want vibration of the fence rails to loosen your adjustments.

Storage

If desired, you can leave the Quick-Mount permanently attached to your fence. However, the electric eye should be removed after each use. After extended periods of time outdoors, some oxidation on the threads of the *Ball Head Knob* is normal.

For long term, outdoor mounting, always use UV resistant tie-wraps. Otherwise, the tie-wrap may become brittle and break after a couple of months in the sun.